



Quality Since 1917

A DIVISION OF



FOSTORIA INDUSTRIES, INC.

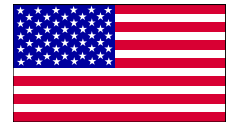
1200 North Main Street

Fostoria, OH 44830-1911

Phone: 800-495-4525

Fax: 419-435-0842

www.fostoriaindustries.com



VHC-32

Variable Heat Controller

for

222 MUL-T-MOUNT INFRARED HEATERS



⚠ WARNING

IMPORTANT SAFETY INFORMATION INSIDE

- Serious injury or death possible
- Read, understand, and follow all safety information and instructions in this manual before using or servicing this product.



If you have questions about the product you have purchased or would like to leave us feedback please contact us via our website www.fostoriaindustries.com or by calling 1-800-495-4525.

REFER TO COMPLETE
INDEX OF
INFORMATION ON
PAGE 2





INDEX

General Description & Use	Page 2
Specifications	Page 3
Installation & Wiring	Page 3
Replacement Parts	Page 4
Limited Warranty	Page 4

ATTENTION:

The table to the right provides definitions of the signal words that can be found throughout this manual. These signal words are used to express the severity of the hazard at hand. The signal words are generally used in conjunction with safety symbols that correspond to the text for that particular hazard. As you read this manual, refer back to this table when you are unsure of the signal word definition.

SIGNAL WORD DEFINITIONS

	DANGER indicates an imminently hazardous situation which, if not avoided, will result in death or serious injury.
	WARNING indicates a potentially hazardous situation which, if not avoided, could result in death or serious injury.
	CAUTION indicates a potentially hazardous situation which, if not avoided, may result in minor or moderate injury.
	CAUTION used without the safety alert symbol indicates a potentially hazardous situation which, if not avoided, may result in property damage.
<small>As defined in ANSI Z535.4-2002</small>	

GENERAL DESCRIPTION & USE

WARNING

ELECTRICAL SHOCK HAZARD FIRE HAZARD

- Serious injury or death may occur.
- Not for indoor residential use.
- Do not use in locations containing hazardous or explosive atmospheres.
- Do not use outdoors in wet conditions and in unprotected locations.





The Fostoria VHC-32 Variable Heat Controller is a solid-state power control designed to provide a convenient way to adjust heat output on electric infrared heating elements. The faceplate includes an ON/OFF switch that glows red when the controller is in use. It also includes the heat intensity control knob.

Use the VHC-32 to control heaters on patios, in shelter houses or other protected outdoor environments. It is designed for use with 208 or 240 volt Fostoria Mul-T-Mount 3200 watt heaters. It can operate quartz lamps or quartz tubes up to a maximum of 3200 watts.

The VHC-32 can also be used with the following Fostoria heaters:

MODEL	WATTS
OCH-46-208V	2000
OCH-46-240V	2000
OCH-57-208V	3000
OCH-57-240V	3000
RPH-208-A	1600
RPH-240-A	1600

Note: Faceplate may become warm to the touch during use; this is normal.

SPECIFICATIONS

- 208/240 VAC single-phase single stage controller
- Built-in On/Off switch with surface plate included
- A triac to control heat settings from 10 to 100%.
- Designed for wall mounting in the same space a 4"x 4" electrical wall box would mount.
- Accommodates hardware for 1/2" conduit.
- **Will operate:**
 - o **One (1) or two (2) quartz lamps totaling up to 3200W or**
 - o **One (1) or two (2) quartz tubes totaling up to 3200W.**

CAUTION

The initial current inrush of T3 quartz lamps is very high; as much as 10 – 15 times the steady-state current. Operating the VHC-32 with more than two (2) 1600W quartz lamps may damage the control. This concern is not applicable to quartz tubes or other constant-resistance elements.

INSTALLATION & WIRING

⚠ WARNING

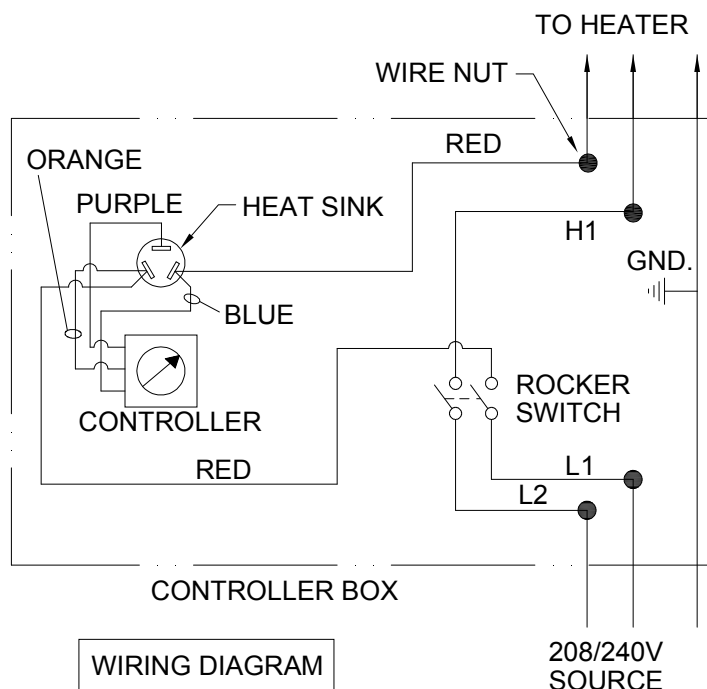
ELECTRICAL SHOCK HAZARD



- **Serious injury or death may occur.**
- **Disconnect from electrical supply before installing or servicing this product.**
- **Make certain the power source conforms to specifications on heater label.**
- **Always securely connect green wire from heater to bonding (ground) wire from electrical supply, not to a live or "hot" conductor.**
- **Use 12 AWG, 90° C rated copper wire only. Maximum 50 ft. run.**
- **Follow state, local and national electric codes (NEC).**

For field wiring, refer to the Installation manual included with your heater.

All wiring must be performed by a licensed electrician.

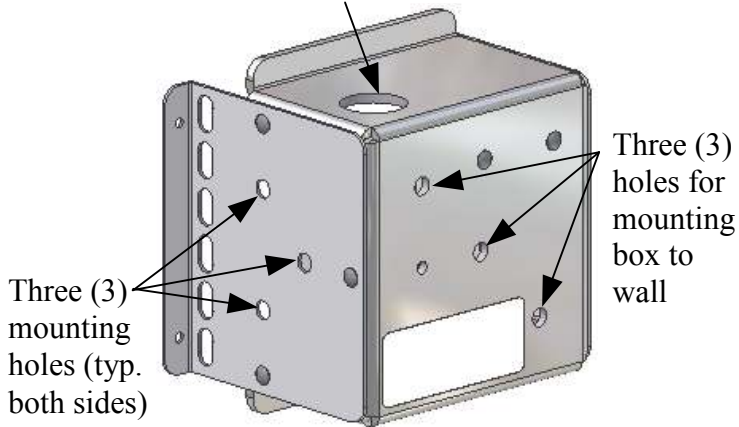


To install the VHC-32:

1. Carefully remove cover from controller (internal wiring is attached from inside of cover to rear of controller box) and mount box in wall. View on next page shows mounting-hole options.
Note: If wires are accidentally pulled off the heat sink during installation, reference Wiring Diagram for correct reattachment.
2. Wire control to power source and heater as shown in wiring diagram using (4) wire nuts provided. Note that wires marked "L1" or "L2" can be attached to either incoming power lead. Also, the wire marked "H1" and the red wire coming from the heat sink can be wired to either lead going out to the heater.
3. Attach bonding (ground) wires under green screw in back of box.
4. **Reattach cover to box being careful not to damage internal wiring.**

MOUNTING INSTRUCTIONS

One hole on top and one on bottom for 1/2" conduit fittings



Back view of controller box



⚠ WARNING

ELECTRICAL SHOCK HAZARD FIRE HAZARD

- Serious injury or death may occur.
- Plug all unused conduit openings with suitable plug after installation.
- Enclosure supplied with unit must be used.
- Do not block or cover the vent holes shown in Figures 2 and 3.

FIGURE 2
Surface Mounted

FIGURE 3
Recessed Mounted

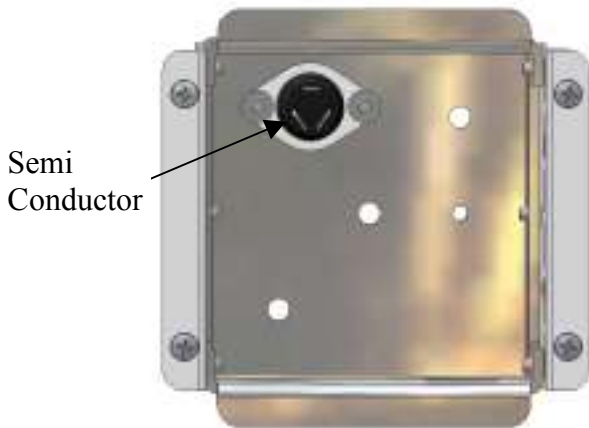
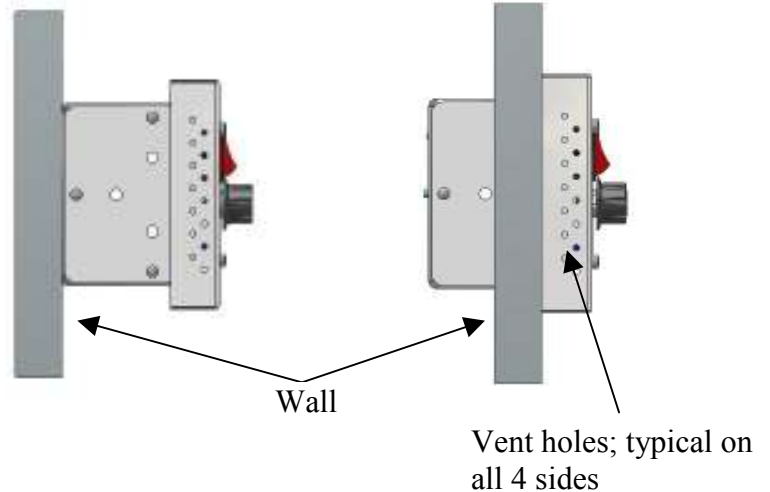


FIGURE 1



Recessed Applications

-When installing the VHC enclosure, the semi conductor **must** be positioned in the upper left hand corner, refer to Figure 1.

- Minimum wall depth required: 2-3/4"
- Rough opening size:
 - min.: 4-1/8" x 4-1/8"
 - max.: 4-1/4" x 4-1/4"

REPLACEMENT PARTS

If you need to replace one of the parts on your VHC-32 shown below, you can purchase it through your local distributor or directly from Fostoria Industries Customer Service.



Rocker Switch
Part No.: 3111700



Knob
Part No.: 3183800



Cover
Part No.: 8052500

LIMITED WARRANTY

FOSTORIA INDUSTRIES, INC. – 1200 N. Main St., Fostoria, Ohio 44830 - (419) 435-9201

The warranty herein set forth is in lieu of all other warranties expressed or implied.

Fostoria Industries, Inc. of Fostoria, Ohio 44830, warrants its products to the owner against defects in material and workmanship for a twelve (12) month period under normal use and service following date of manufacture or installation when proof of such is provided to seller.

This Warranty requires that the owner, or his agent, install the equipment in accordance with the National Electrical Code, any other applicable heating or electrical codes and the manufacturer's installation instructions. It further requires that he perform reasonable and necessary maintenance on the unit. The company is not liable for abuse or misuse of product as may be finally determined by the company.

The obligation of Fostoria Industries, Inc. under the terms of this warranty, shall be to supply a new part, repair of defective part, or a refund, at the company's option with no cost to owner for the new or repaired part. Such parts are to be returned to the factory, or such other location as the company may designate. This warranty does not obligate Fostoria Industries, Inc. to bear the cost of labor in replacing any assembly, unit or component part thereof, nor does the company assume any liability for secondary charges, expenses for installing or removal, or any other consequential losses. The company's maximum liability shall not in any case exceed the list price for the product claimed to be defective.

The warranty shall not apply to any product or parts of products which have been repaired or altered outside of Seller's factory in any manner. Warranty is void on products that have been determined to have been subjected to misuse, negligence or accident or which have been used in a manner contrary to Seller's instructions.