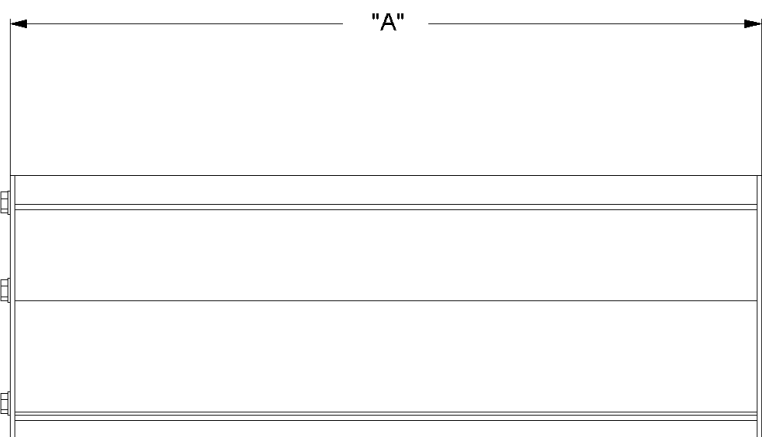
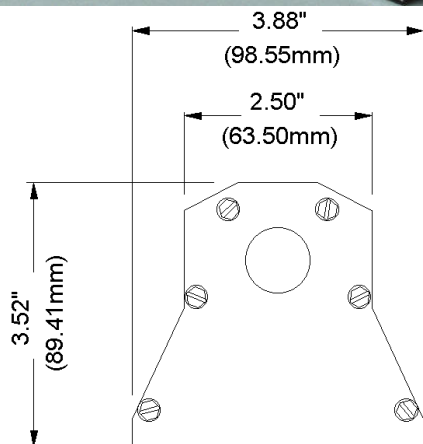
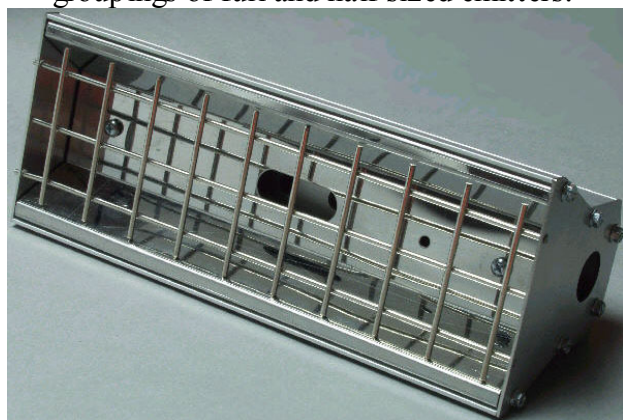
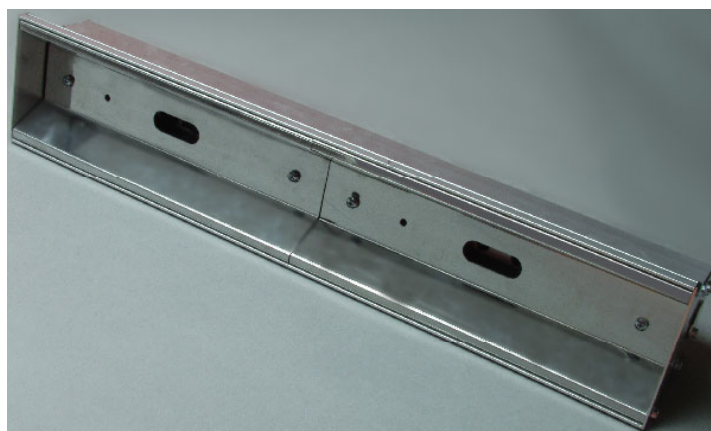
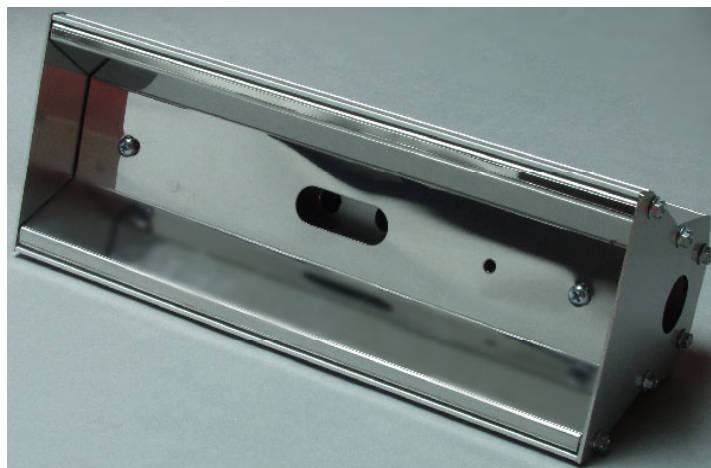


Assemblies

ALEX - Aluminum Extrusion Reflector Assemblies

A complete assembly with reflector, outer case and pre-wired terminal blocks. The ALEX requires FTEs with the standard 6" (152.4mm) leads.

- Extruded aluminum outer case.
- Polished stainless steel removable reflector.
- 1/2" conduit knockout on both ends of the assembly.
- Built-in interlocking channel allows extrusions to be interlocked together.
- Wire guard protection is available to protect the heaters from damage.
- Custom assemblies are available including groupings of full and half sized emitters.



ALEX/F	A=10" (254 mm)
ALEX/FF	A=19 7/8" (505 mm)
ALEX/FFF	A=29 3/4" (756 mm)
ALEX/FFFF	A=39 5/8" (1006 mm)
ALEX/FFFFF	A=49 1/2" (1257 mm)



Standard position adjustable mounting hardware permits adjustment for mounting hole spacing via 1/4-20x1.5 stud screws in a t-slot nut with ball/spring, which slides in the groove of the top terminal cover extrusion.

How to order:

ALEX/F (multiple F's for the number of FTE size heaters) Example: ALEX/FFF